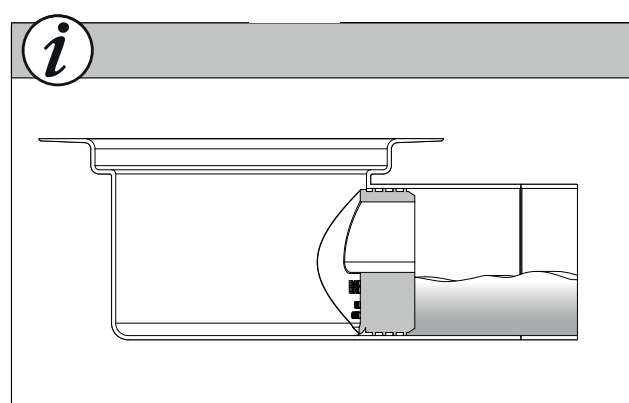
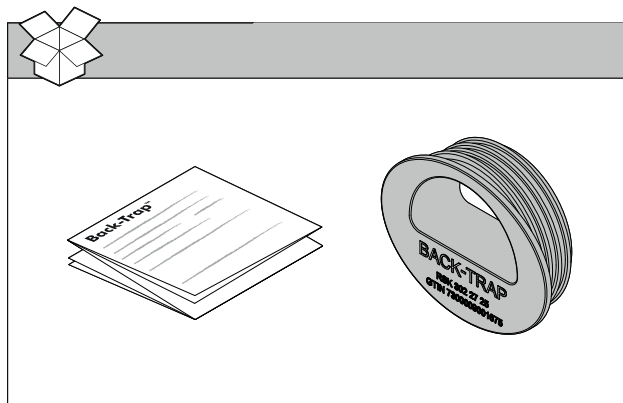




Data Sheet



TECHNICAL DATA Item No: 3022725

Range of Temperature:	-35°C to (110*)/60°C
Flow capacity:	1,2 l/s
Material:	EPDM (EN681-1 typ Wc)
Dimension:	DN75 mm
Warranty:	Lifetime Watrranty

* Continuous flow up to 60°C and interminet flow up to 110°C.

Meets the requirements of the Boverkets ByggRegler BBR 2011 by a wide margin.

Acc to 6: 641 of BBR 2011, prescribed: "Waste water installations shall be designed to continuously be able to divert at least 150% of the serviced outlet normal flows" Example of a standard bathroom with standard flows acc. 6: 623 of BBR 2011.

Bath 0,3 l/s
Sink 0,2 l/s
WC 0,1 l/s

Sum= 0,6x150%=0,9 l/s



Manufacturer: Back-Trap Fyra Hus AB **Made in Sweden**
Solängsvägen 5A, 423 33 Torslanda, Sweden
www.backtrap.se - info@backtrap.se

Scan this for digital version